



STAINLESS STEEL AISI 316 HOOKS AND HOOK BLOCKS



Applications:

In circumstances where corrosion can cause problems, the use of stainless steel products is recommended

Range:

Bull offers a wide range of stainless steel items in order to match customer requirements

Design:

Items supplied by Bull are all manufactured from stainless steel quality AISI 316 or 316L. All stainless steel items have an equivalent in a grade 8 quality

Finish:

Stainless steel items are generally polished

Certification:

Upon request, all the stainless steel items can be supplied with a work certificate and/or EC Declaration of conformity. Some items can also be supplied with a manufacturer test certificate.

Instructions for use:

All stainless steel items should be inspected before use to ensure that:

- all markings are legible
- all items are free from nicks, gouges and cracks
- items with the correct Working Load have been selected with respect to the sling design i.e. the load to be lifted, the number of legs in the sling, the top angle etc. For further details, we refer to EN818, norm for chain slings
- items may not be heat treated as this may affect their Working Load Limit
- never modify, repair or reshape an item by machining, welding, heating or bending as this may affect the Working Load Limit
- master links and the other items of the sling are all identifiable as being in stainless steel and for lifting purposes
- items should be used for straight in line loading only, this in order to avoid bending
- items are not distorted or unduly worn it is required that the products are regularly inspected and that the inspection should take place minimally in accordance with the safety standards given in the country of use.



STAINLESS STEEL AISI 316 HOOKS AND HOOK BLOCKS



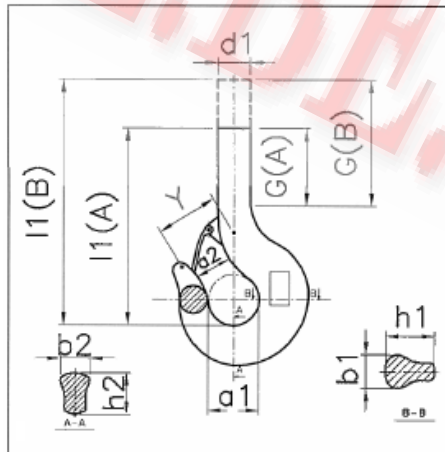
This is required because the products in use may be affected by wear, misuse, overloading, etc. with a

consequence of deformation and alteration of the material structure. Inspection by a competent person should take place at least every six months and even more frequently when the components are used in severe operating conditions.





STAINLESS STEEL AISI 316 HOOKS AND HOOK BLOCKS



SINGLE HOOKS
UNI 9469/1 DIN 15401/1

CODE: G11 ... ■ ● ◆

■ = STRENGTH CLASS
P-T-V: clas P, T o V
X: Stainless Steel

● = SHANK LENGTH
A: normal shank
B: long shank

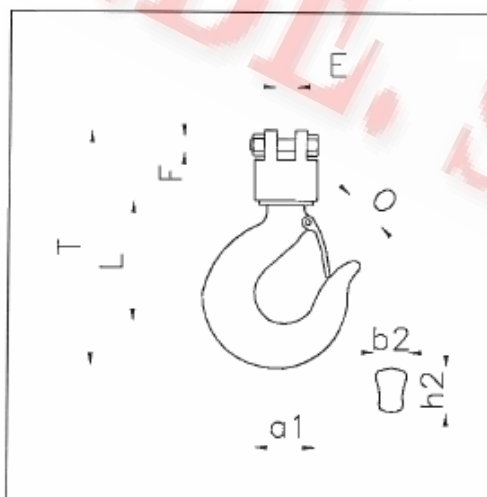
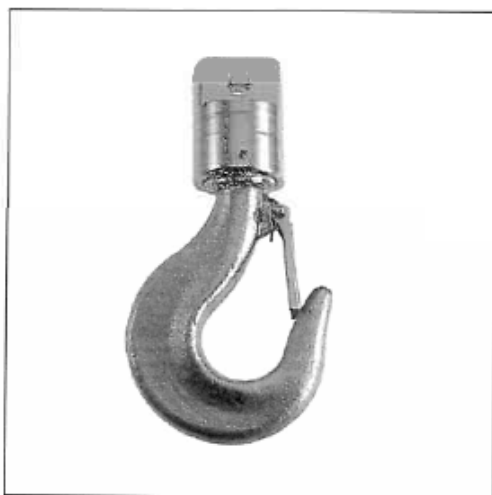
◆ = SAFETY
N: with safety
S: without safety

LIFTING HOOK N°	LIFTING CAPACITY				
	6	160	125	100	-
010	250	200	160	125	100
012	320	250	200	160	125



STAINLESS STEEL AISI 316 HOOKS AND HOOK BLOCKS

020	500	400	320	250	200
025	630	500	400	320	250
04	1000	800	630	500	400
05	1250	1000	800	630	500
08	2000	1600	1250	1000	800
1	2500	2000	1600	1250	1000
1,6	4000	3200	2500	2000	1600
2,5	6300	5000	4000	3200	2500
4	10000	8000	6300	5000	4000
5	12500	10000	8000	6300	5000
6	16000	12500	10000	8000	6300
8	20000	16000	12500	10000	8000
10	25000	20000	16000	12500	10000



TRUST BEARING DIN
SWIVEL SAW-HOOKS

CODICE: G19 ... R

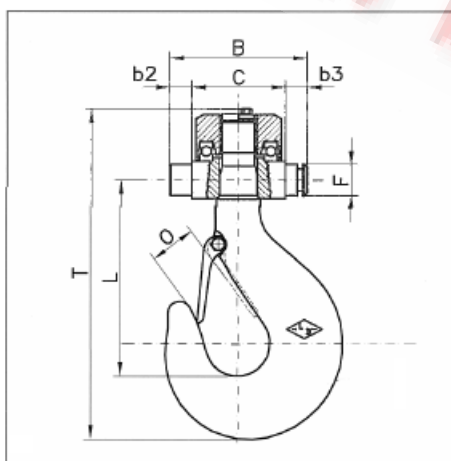
Safety Factor: 5

HOOK N°	MEASURES mm												WEIGHT kg	
	a1	a2	b1	b2	d1	G(A)	G(B)	h1	h2	l1(A)	l1(B)	y	l(A)	l(B)
012	30	24	19	15	16	25	-	22	14	115	-	-	0,36	-
025	36	28	22	19	20	34	-	28	24	144	-	-	0,8	-
05	43	34	29	24	24	45	-	37	31	167	-	-	1,6	-
1	50	40	38	32	30	70	-	48	40	197	-	-	3,2	-



STAINLESS STEEL AISI 316 HOOKS AND HOOK BLOCKS

1,6	56	45	45	38	36	85	-	56	48	224	-	-	4,5	-
2,5	63	50	53	45	42	95	-	67	58	253	-	-	6,3	-
4	71	56	63	53	48	100	260	80	67	285	445	-	10	12,3
5	80	63	71	60	53	156	260	90	75	366	470	-	17	19
6	90	71	80	67	60	165	340	100	85	395	570	130	24,5	28,5
8	100	80	90	75	67	-	320	112	95	-	585	145	-	38
10	112	90	100	85	75	186	390	125	106	452	660	160	42	52



SWIVEL SIMPLE
HOOKS DIN 15411
CODE: G01 ... ■ ● S

HOOK	MEASURES mm	BEARING	WEIGHT
------	-------------	---------	--------



STAINLESS STEEL AISI 316 HOOKS AND HOOK BLOCKS

N°	B			b2	b3	C	F	L		O		T		Kg		
	TYPE							G01	G02	G01	G02	G01	G02	G01	G02	
	A	B	C													
8	85	-	-	17,5	-	50	25	144	-	34	-	220	-	51105	3	-
1	85	-	-	17,5	-	50	25	155	-	36	-	234	-	51106	4	-
1,6	-	100	-	17,5	-	65	25	168	-	41	-	269	-	51107	5,7	-
2,5	-	120	125	20	22,5	80	30	187	180	45	33	308	294	51108	8,5	9
4	-	135	140	22,5	25	90	35	211	203	52	38	349	334	51110	12	13
5	-	150	155	25	27,5	100	40	235	227	57	41	390	373	51112	17	18
6	-	180	185	27,5	30	125	45	285	276	66	46	465	446	51214	24,5	24,5
8	-	200	210	30	35	140	50	315	305	75	54	514	494	51216	35	36,5
10	-	220	230	30	35	160	55	336	325	81	58	558	536	51218	49	50,5

STAINLESS STEEL AISI 316 HOOKS AND HOOK BLOCKS





STAINLESS STEEL AISI 316 HOOKS AND HOOK BLOCKS



Advantages:

- Duplex AISI 318 LN ensures superior corrosion resistance
- Easy rotation under full load (ball bearings made of stainless steel AISI 440C)
- Designed for moving heavy loads safely
- Safe and efficient handling through compact, heavy-duty design
- Certificate EN 10204-3.1 upon request

Swivel Load Hooks CWHF, Grade 60

For direct connection to chain

TYPE	FITTING CHAIN	W.L.L. t	DIMENSION mm	WEIGHT ca. kg
	mm		g	
CWHF 40	4 x 12/12,1/12,3	0,4	20	0,45
CWHF 43	4,3 x 12	4,4	20	0,45
CWHF 50	5 x 15/15,1/15,3	0,63	20	0,45
CWHF 60	6 x 18/16,7	0,95	25	1,1
CWHF 63	6,3 x 19,1	1	25	1,1
CWHF 70	7 x 21/22	1,25	25	1,1
CWHF 71	7,1 x 20,5/21,2	1,3	25	1,1
CWHF 80	8,0 x 24/8 x 24,2	1,6	40	3,5
CWHF 90	9,0 x 27	2	40	3,5
CWHF 95	9,5 x 28,5	2,3	40	3,5
CWHF 100	10,0 x 28/10,0 x 30	2,5	40	3,5

Swivel Load Hooks. QWHF, Grade 80

For direct connection to chain

TYPE	FITTING CHAIN	W.L.L. t	DIMENSION mm	WEIGHT ca. kg
	mm		g	
CWHF 70	7 x 21	1,6	40	3,5

STAINLESS STEEL AISI 316 HOOKS AND HOOK BLOCKS

